

Rail Spans and Array Sizing, Q Cells 395W Panels 2022

Panels in Portrait Number	41.1 Inches	Rail Width Ft & In
1		3'11"
2		7'10"
3		10'10"
4		14'3"
5		17'9"
6		21'2"
7		24'8"
8		28'
9		31'7"
10		35'
11		38'6"
12		42'
13		45'5"
14		48'10"
15		52'4"
16		55'9"

Between L-Leg Spans

Iron Ridge

<http://www.ironridge.com/>

[RAILS ?](#) **XR100** **XR1000**

MAX SPAN ?

[portrait]

Zone 1 **8' 2"** 10' 8"

Zone 2 **8' 2"** 10' 8"

Zone 3 **8' 2"** 10' 8"

MAX CANTILEVER ?

[portrait]

Zone 1 **3'** 4' 3"

Zone 2 **3'** 4' 3"

Zone 3 **3'** 4' 3"

* Note that the spans work for all roof zones

Rails come in 11', 14', and 17' lengths

Lengths can be spliced.

Portrait



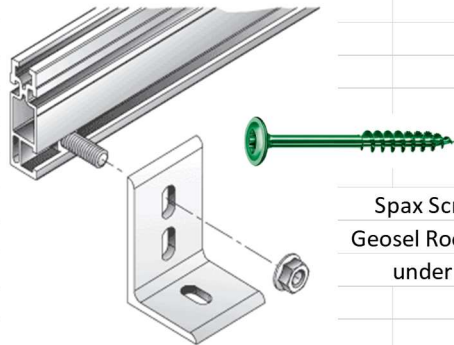
Every 6 rafters on 16" OC
Every 4 rafters on 24" OC
So 8' spans work on most old or new roofs



For a good measurement across your roof (not down the slope), zoom to your address on Google Earth or your County's GIS website. Then use the measuring tool, dragging the cursor from one point across to the other on the roof you want to measure. Then compare to the chart on the left.

Panels in Landscape Number	Length	74" Ft & In
1		6'2"
2		12'10"
3		19'
4		25'3"
5		31'6"
6		37'6"
7		46'10"
8		50'
9		56'3"
10		62'6"
11		68'8"

L-Leg & Rail



Spax Screws w.
Geosel Roof Sealant
under L-Leg

IronRidge Universal Fastening Object (UFO)

(Mid & End-Clamps)



Flint Hills Renewable Energy & Efficiency Cooperative, Inc; www.fhrec.org; 785/564-2583; mail@fhrec.org
 You can also find us on Facebook at "Flint Hills Solar Coop" Please consider liking our page and inviting your friends to follow us as well:
<https://www.facebook.com/flinthillsolar/>